



# R 850

## Ball valve

# GIACOMINI

Registered Firm BS 5750 Quality System Reg. n° FM 625

GIACOMINI s.p.a. • 28017 S.Maurizio d'Opaglio (Novara) • Tel. 0322-923111 • Fax 0322-96256 • Telex 200035 • www.giacomini.com

**GIACOMINI**

BSI • Certificate n° FM 00625  
 • Amendment to 22-05-1996  
 ICIM • Certificate n° 0006/2  
 • 24-07-1996

**ISO 9001**

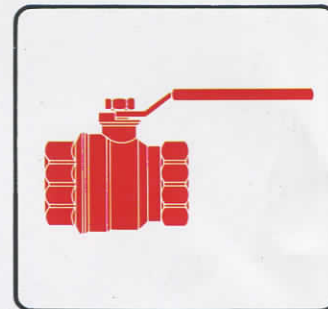
Januar 1986

Technical communication n° **3214****CÔNG TY TNHH TM - SX - DV ĐÔNG HẢI**

Đ/c: 544/23-25 Lý Thường Kiệt, P.7, Q.Tân Bình, TP.HCM

Tel: 08.39713956 - 08.9008843 Fax: 08.39712069

Website: www.dohaco.com Email: sales@dohaco.com

**R850 Giacomini ball valve**

The ball valve, type R850, has a full port, that is bore being not less than the valve size.

For obvious safety reasons, the complete range of Giacomini ball valves (R250 - R650 - R750) and this pattern R850 have the stems assembled from

the inside of the valve. Protecting them from violations and acts of sabotage. In fact no tool (excluding destructive devices) can be used to tamper with the stem, making it impossible to unthread from its seat and thus avoiding leakage of gas or other fluids.

**Features**

The «bending moment» of this 1/4 turn operation valve allow a listing of PN 32, while the static tests under pressure have proved the resistance of the valve to be over 100 bar.

The Max. working temperature is 185°C,

which corresponds to 10.5 bar of pressure with saturated steam.

Please note that the new UNI standard, at present under consideration, limits the operation of the ball valve to 150°C of temperature.

**Technical data**

Body: brass OT 58 UNI 5705-65 nickel and chromium plate.

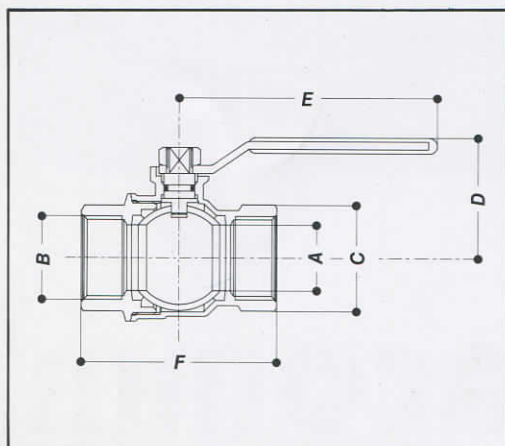
Ball: brass OT 58 UNI 5705-65 nickel and chromium plated after diamond finishing.

Ball Seats: P.T.F.E.

Washer on the stem: «viton»

O-Ring + P.T.F.E.

Lever: plastic coated steel threaded with antioxidant.

**Materials**

	A	B	C	D	E	F
3/8"	10	3/8"	21	32	78	45,5
1/2"	15	1/2"	25	36,1	78	53
3/4"	20	3/4"	31	47,4	96	59,5
1"	25	1"	38	51,4	96	74
1 1/4"	32	1 1/4"	47	56,4	96	83
1 1/2"	40	1 1/2"	53,8	61,6	123	94
2"	50	2"	66,5	69,1	123	108,5

**Dimensions**