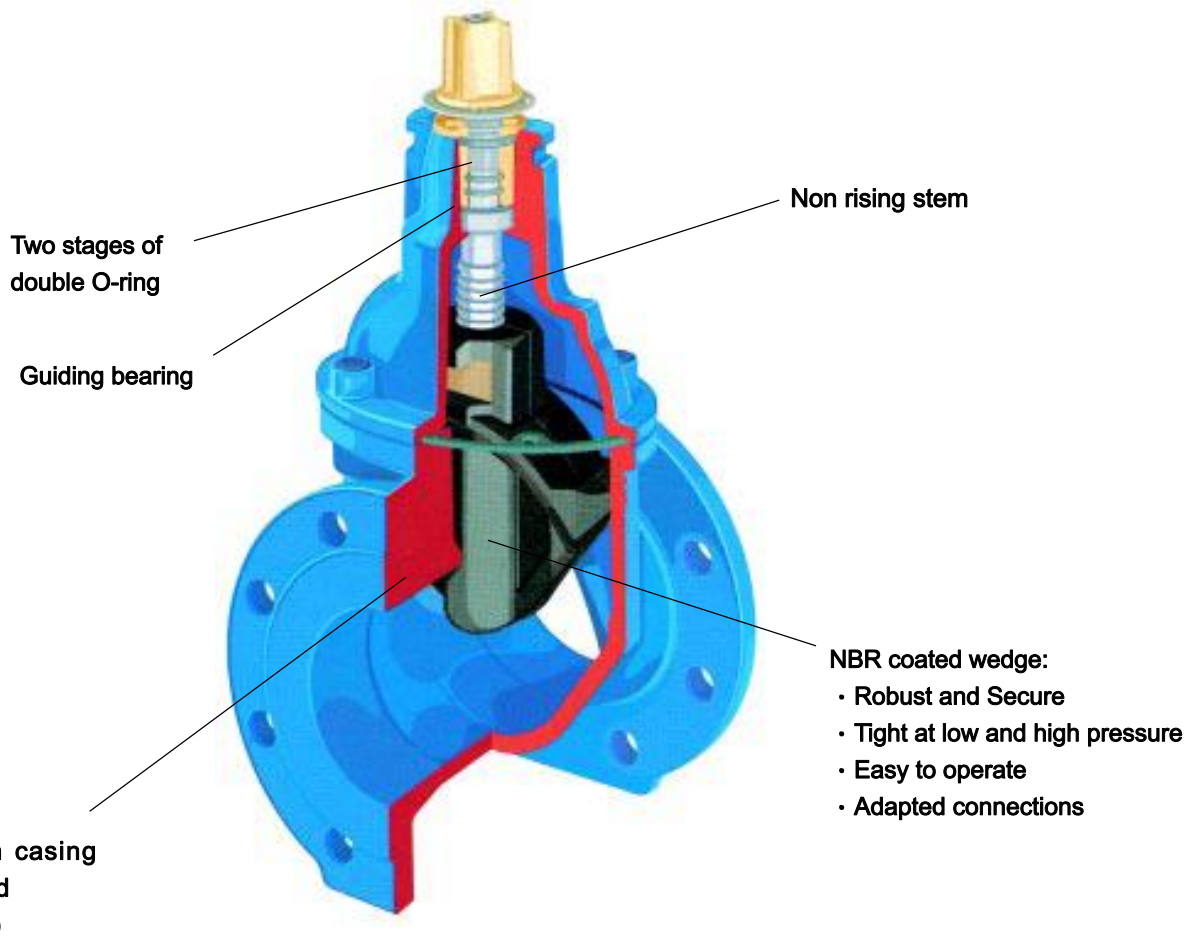


RESILIENT GATE VALVES



DN 40 to 400mm	ISO PN 16	T° +5°C to +110°C
----------------	-----------	-------------------



Ductile iron casing
epoxy coated
(250 Micron)

- NBR coated wedge:
- Robust and Secure
 - Tight at low and high pressure
 - Easy to operate
 - Adapted connections



Robust: with body and bonnet in ductile iron coated with 250 micron thick epoxy both inside and outside

Watertight: even at low pressure thanks to a high adhesion power elastomer-covered wedge on epoxy coated seat.

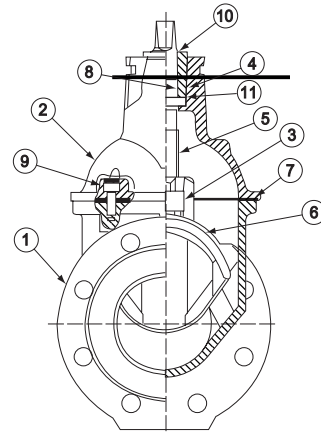
Easy to use: very low torque is required to operate the valve and the lateral shape of the guiding system avoiding deposits, helps the easy moving of the wedge.

Adapted: to various types of pipework thanks to a wide choice of connections with flanges, spigots or sockets for cast iron or PVC pipes.

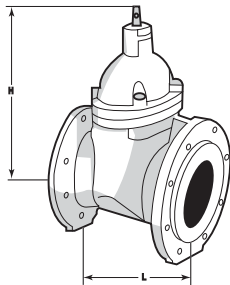
These valves can be delivered with or without repackable stuffing box and EPDM or NBR coated wedge.

MATERIALS

1	Body	Ductile iron
2	Bonnet	Ductile iron
3	Stem nut	Gunmetal
4	Stuffing box	Brass
5	Stem	Stainless steel
6	Wedge	Ductile iron
7	Gasket	Rubber (NBR)
8	O-rings	Rubber (NBR)
9	Socket-head bolts	Galvanized Steel
10	Dirt seal	Rubber (NBR)
11	Axial sleeve bearing	Composite



PERFORMANCES

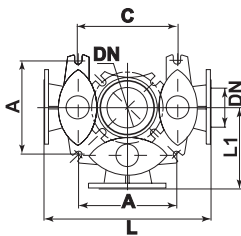


Type S-1140

DN	H mm	L mm	kg
40	176	140	6
50	196	150	12
65	231	170	16
80	320	180	22
100	314	190	23
125	408	200	33
150	412	210	38
200	525	230	60
250	628	250	97
300	717	270	140
400	1053	310	285



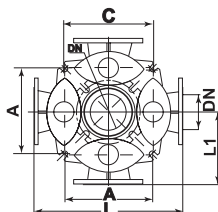
Type S-2245/S2246



DN	L mm	L1 mm	C mm	A mm	H mm	H1 mm	Kg 3 rob
100	580	290	355	212	314	77	79
150	620	310	380	360	412	240	136
200	750	375	460	445	525	308	242
200	750	375	460	445	525	308	242
250	960	480	594	617	628	320	406
250	960	480	594	617	628	320	406
300	1050	525	662	617	717	342	575
300	1050	525	662	617	717	342	575



Type S-2345/S2346



DN	L mm	L1 mm	C mm	A mm	H mm	H1 mm	Kg 4 rob
100	580	290	355	212	314	77	114
150	620	310	380	360	412	240	174
200	750	375	460	445	525	308	308
200	750	375	460	445	525	308	308
250	960	480	594	617	628	320	639
250	960	480	594	617	628	320	639
300	1050	525	662	617	717	342	705
300	1050	525	662	617	717	342	705

