



CÔNG TY TNHH TM-SX-DV ĐÔNG HẢI

544/25 Lý Thường Kiệt, P7, Q.TB

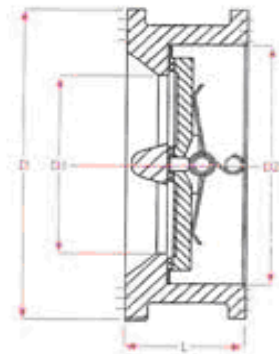
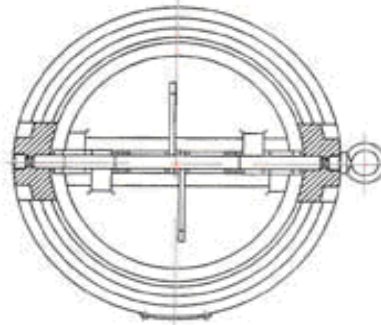
Tel: 9713956 - 9715072 - 9008843 Fax: 9712069

Website: www.dohaco.com - Email: sales@dohaco.com

BẢNG GIÁ

Ngày 17/07/2006

VAN 1 CHIỀU BƯỚM GANG
CAST IRON WAFER CHECK VALVE
 MAX WORKING PRESSURE: 16KG/CM²



Materials Performance

Parts	Materials	Standard/Grade
Body	Cast Iron	ASTM A126 Class B GG25
	Stainless Steel	ASTM A351 CF8, CF8M
	Bronze	ASTM B148 C954
Stem	Stainless Steel	ASTM A182 304, 316, 416
Seat	EPDM	-15°C ~ 140°C
Bushing	PTFE	120°C (max)

DN Nominal Diameter (mm)	50 (2") ~ 600 (24")	
PN Nominal Pressure (MPa)	1.0	1.6
Testing Pressure (MPa)	Sealing	1.1
	Body	1.76
Working Temperature (°C)		1.5
		2.4
Suitable Mediums	-15 ~ +150	
	Fresh water, Sewage, Sea Water, Air, Steam, Food, Medicine Oils, Acids, etc.	

Dimensions

Size DN	mm														
	inch	2	2½	3	4	5	6	8	10	12	14	16	18	20	24
	mm	50	65	80	100	125	150	200	250	300	350	400	450	500	600
D		103	122	132	156	187	213	268	327	377	420	483	537	592	695
D1		40	58	70	88	115	134	182	220	260	298	350	385	438	538
D2		65	78	94	117	145	170	222	265	310	360	410	450	505	624
L		43	46	64	64	70	76	89	114	114	127	140	152	152	178