

SYLAX



DN 25 to 350mm	ISO PN 6 to 16-25	T° -25°C to +200°C
----------------	-------------------	--------------------

Position indicator of the disc

Top connection according to ISO 5211 and NFE29402

Anti-friction bearings

Spline driven shaft connected to spherically machined disc ensures perfect bi-directional sealing.

Floating disc allows self centering thus preventing stress on the liner during operation.

Tongue and groove seat allows 100% tightness and simplifies stripping of the liner.

Face to face dimensions acc. to ISO 5752 class 20 and NFE 29305

Flange connection: ISO standard and GB9112 standard

circclip preventing ejection of shaft.

Secondary sealing

one piece shaft

Replaceable elastomer liner ensures full protection of body and shaft.

Epoxy coated body with centering or tapped lugs suitable for deadline service

WAFFER / LUG TYPE / FLANGE STRUCTURE

SYLAX Butterfly valves are dedicated to Standard applications i.e.:

Many fluids such as water, air and gas, many industrial processes, also for high temperature.

Aporia Butterfly valves with yellow handlever is only for gas applications.

Bombyx Butterfly valves for sprinkler systems, with approval of APSAD (French).

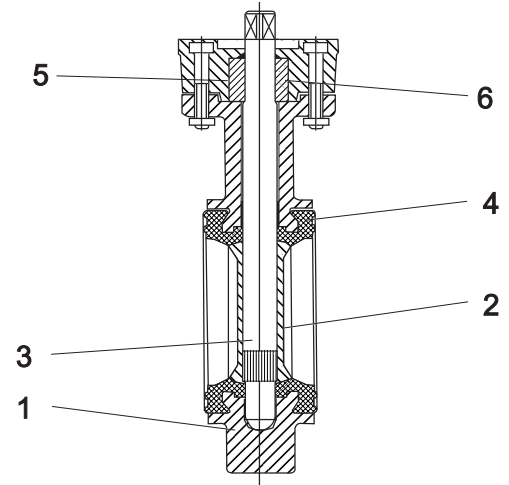
Offer Butterfly valves of PN20/25.



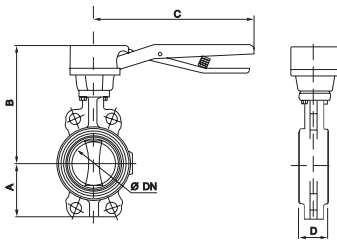
MATERIALS

1	BODY	CAST IRON FGL250,EPOXY COATED/DUCTILE IRON, CAST STEEL, STAINLESS STEEL
2	DISC	DUCTILE IRON,(DN25 BRASS, DN32-40ALU. BRONZE) ALU. BRONZE, STAINLESS STEEL, CERAMIC COATED STAINLESS STEEL, PFA COATED STAINLESS STEEL, BRONZE (Marine)
3	SHAFT	STAINLESS SS420, SS316 FOR CHOICE
4	SEAT SEAL	EPDM -15~110℃, WHITE EPDM 8~80℃ SILICONE -25~200℃ FKM 5~180℃ NBR 5~85℃
5	UPPER SEAL	NBR
6	SLEEVE	POLYAMIDE RESIN/BRONZE

* Please consult with us

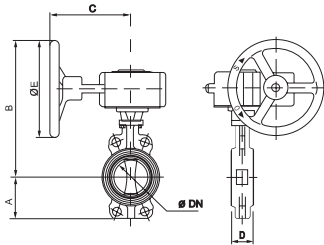


PERFORMANCES



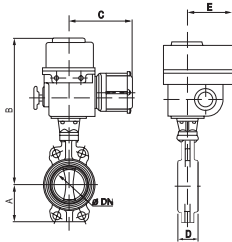
Sylax-Notched PCF PN10/16/20/25

DN	A	B	C	D	kg
25	52	161	200	32	2.4
32	57	166	200	32	2.6
40	57	166	200	32	2.6
50	62	172	200	43	3.3
65	70	181	200	46	3.7
80	89	187	200	46	4
100	106	211	290	52	6.3
125	120	226	290	56	7.7
150	132	239	290	56	9.2
200	164	293	450	60	16.8
250	200	318	450	68	23.4
300	238	343	450	78	25.6



Sylax-Gear box PN10/16/20/25

DN	A	B	C	D	E	kg
25	52	213	140	32	125	4.6
32	57	218	140	32	125	4.7
40	57	218	140	32	125	4.7
50	62	224	140	43	125	5.5
65	70	234	140	46	125	5.8
80	89	239	140	46	125	6.1
100	106	263	140	52	125	8.1
125	120	278	140	56	125	9.6
150	132	290	140	56	125	11.1
200	164	396	180	60	200	17.2
250	200	431	240	68	250	28.9
300	238	456	240	78	250	30.4
350	280	540	270	78	350	45.6

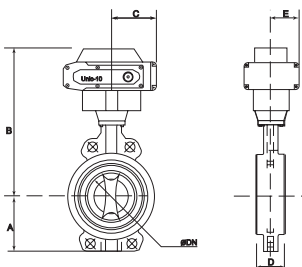


Sylax-ELEC-ISO PN 10/16/20/25

DN	A	B	C	D	E	kg	Type
25	52	359	59	32	90	6.63	0A3
32	57	364	59	32	90	6.76	0A3
40	57	364	59	32	90	6.76	0A3
50	62	370	59	43	90	7.52	0A3
65	70	380	200	46	145	7.91	0A6
80	89	386	200	46	145	8.89	0A6
100	106	390	200	52	145	10.87	0A8
125	120	424	200	56	145	12.31	0A8
150	132	418	260	56	145	13.52	AS15
200	164	423	312	60	226	31.77	AS25
250	200	448	340	68	226	38.55	AS50
300	238	473	340	78	226	49.34	AS50
350	280	636	114	78	236	57.04	AS100

Electric actuator

- On/off duty (Bernard) S4-30%-IP67
- modulating on demand



Sylax-ELEC-ISO PN 10/16/20/25

DN	A	B	C	D	E	kg	On/off	Modulating
25	52	265	75	32	62	7.6	Unic-Z	Nucom-z
32	57	288	109	32	62	7.6	Unic-Z	Nucom-z
40	57	288	109	32	62	7.6	Unic-Z	Nucom-10NS
50	62	294	109	43	62	8.3	Unic-05	Nucom-10NS
65	70	303	109	46	62	8.8	Unic-05	Nucom-10NS
80	89	309	109	46	62	9.0	Unic-05	Nucom-10NS
100	106	354	109	52	67	16.0	Unic-10	Nucom-10NS
125	120	412.5	133	56	93	18.2	Unic-10	Nucom-10NM
150	131	425	133	56	93	19.4	Unic-20	Nucom-10NM
200	164	468	133	60	93	36.5	Unic-40	Nucom-10NM
250	200	493.5	133	68	93	46.4	Unic-40	Nucom-10NM
300	238	546	198.5	78	135	50.2	Unic-60	Nucom-10NL
350	280	555	198.5	78	135	65.6	Unic-150	Nucom-10NL

Electric actuator

- On/off (Koei) AC 220V/50Hz
- modulating on demand

