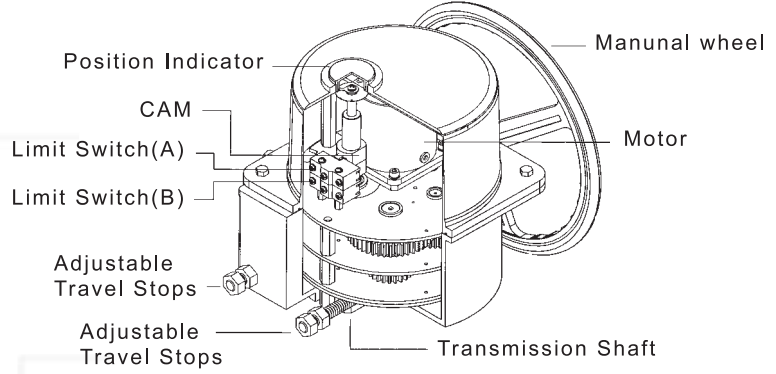


UM-10 Series

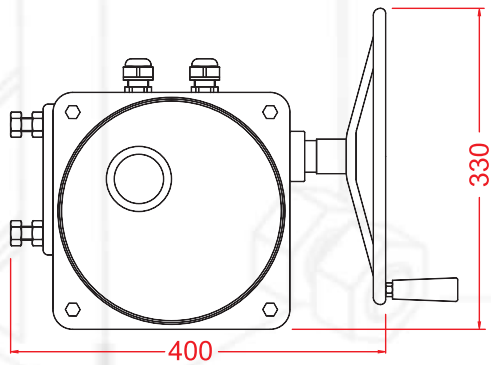


Weight : 34 kg

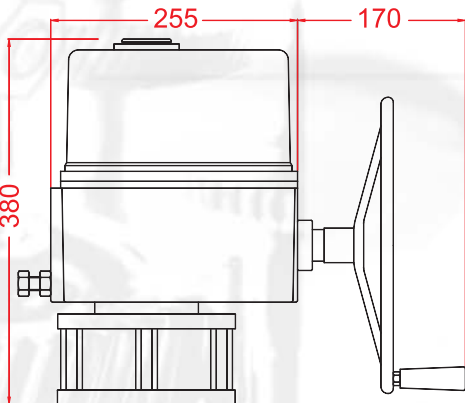


Power	Specification		Speed(sec)		Output Troque Kgf-cm		
	110VAC	220VAC	AC	DC	110VAC	220VAC	24VDC
100W	0.92A	0.34A	52	N/A	12060	13500	N/A

The Size Of Valve	
Flanged Ends	Butterfly Valve
8" ~ 10"	14" ~ 16"



(mm)



Mounting pattern is depending on valve

