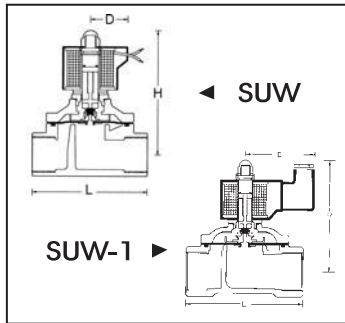


SUW(-1) . SUW(-1)NO Series

SUW/SUW-1 Series

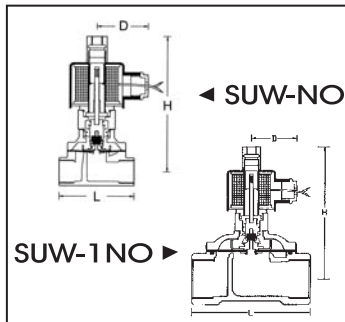


1. SUW(-1) series is pilot diaphragm drive, normal close.
2. Valve body made of investment casting S/S 316.
3. SUW(-1) can be operated directly without pressure.
4. Standard voltage: 110VAC/ 220VAC/ 24VDC
5. Other special AC/DC can be made to client's order.
6. Screwed end: BSPT, NPT , BSP.
7. Viton(130°C), Silicon(130°C), NBR(80°C).
8. AC Voltage tolerance: $\pm 10\%$.
DC Voltage tolerance: $\pm 1\%$.

MATERAIL	
PARTS	MATERAIL
Body	CF8M
Coil	Special Copper Wire (H)
Core	Stainless Steel
Tube	Stainless Steel
Spring	Stainless Steel
Plug	NBR,Viton,Silicon
Diaphragm	NBR,Viton,Silicon

DIN	MODEL	PIPE SIZE	Cv	ORIFICE	FLUID TEMP. °C	MAX. OPERATING PRESSURE DIFF. KG/CM ²				DIMENSION(mm)			WEIGHT (kg)
						WATER	AIR	LIGHT OIL	VACUUM	L	H	D	
●	SUW-15#316	1/2"	4.5	15 mm	-5C ~ 80C	0-5	0-7	0-5		70	100	50	0.9
●	SUW-20#316	3/4"	8.6	20 mm	-5C ~ 80C	0-5	0-7	0-5		73	102	50	1.0
●	SUW-25#316	1"	12	25 mm	-5C ~ 80C	0-5	0-7	0-5		93	106	50	1.6
●	SUW-35#316	1 1/4"	24	35 mm	-5C ~ 80C	0-5	0-7	0-5		125	140	58	3.2
●	SUW-40#316	1 1/2"	28	40 mm	-5C ~ 80C	0-5	0-7	0-5		125	140	58	3.4
●	SUW-50#316	2"	48	50 mm	-5C ~ 80C	0-5	0-7	0-5		167	170	58	5.8

SUW-NO/SUW-1NO Series



1. SUW(-1)NO series is pilot diaphragm drive, normal open.
2. Valve body made of investment casting S/S 316.
3. SUW(-1)NO can be operated directly without pressure.
4. Standard voltage: 110VAC/ 220VAC/ 24VDC
5. Other special AC/DC can be made to client's order.
6. Screwed end: BSPT, NPT , BSP.
7. Viton(130°C), Silicon(130°C), NBR(80°C).
8. AC Voltage tolerance: $\pm 10\%$.
DC Voltage tolerance: $\pm 1\%$.

MATERAIL	
PARTS	MATERAIL
Body	CF8M
Coil	Special Copper Wire (H)
Core	Stainless Steel
Tube	Stainless Steel
Spring	Stainless Steel
Plug	NBR,Viton,Silicon
Diaphragm	NBR,Viton,Silicon

DIN	MODEL	PIPE SIZE	Cv	ORIFICE	FLUID TEMP. °C	MAX. OPERATING PRESSURE DIFF. KG/CM ²				DIMENSION(mm)			WEIGHT (kg)
						WATER	AIR	GAS	VACUUM	L	H	D	
●	SUW-15-NO	1/2"	4.5	15 mm	-5C ~ 80C	0-5	0-7	0-7	0-10 ⁻³	70	126	50	1
●	SUW-20-NO	3/4"	8.6	20 mm	-5C ~ 80C	0-5	0-7	0-7	0-10 ⁻³	73	132	50	1.1
●	SUW-25-NO	1"	12	25 mm	-5C ~ 80C	0-5	0-7	0-7	0-10 ⁻³	93	139	50	1.7
●	SUW-35-NO	1 1/4"	24	35 mm	-5C ~ 80C	0-5	0-7	0-7	0-10 ⁻³	125	154	58	3.5
●	SUW-40-NO	1 1/2"	28	40 mm	-5C ~ 80C	0-5	0-7	0-7	0-10 ⁻³	125	156	58	3.7
●	SUW-50-NO	2"	48	50 mm	-5C ~ 80C	0-5	0-7	0-7	0-10 ⁻³	167	175	58	6.1

⚠ SUW(-1).SUW(-1)NO Not for Fluid Of : 1. Liquid Status When Heat , Solid Status When Cool. 3. Corrosive Fluid
2. Viscosity Over 20 cst.