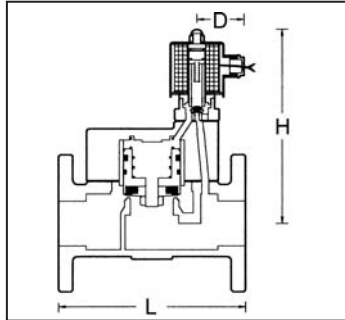


USF . USF-NO Series

USF Series

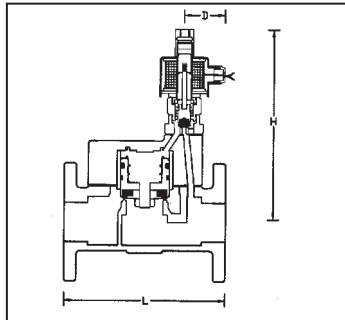


1. USF series is multiplex-dirve, piston guide, conductive normal close.
2. Valve body made of FC-20.
3. Standard voltage : 110VAC/ 220VAC/ 24VDC
4. Other special AC/DC can be made to clinet's order.
5. Flanged end to: JIS 10K, ANSI 150 LB or PN-16.
7. The standard product fluid temperature is 185°C(PTFE).
8. AC Voltage tolerance: $\pm 10\%$.
DC Voltage tolerance: $\pm 1\%$.

MATERAIL	
PARTS	MATERAIL
Body	FC-20
Coil	Special Copper Wire (H)
Core	Stainless Steel
Tube	Stainless Steel
Spring	Stainless Steel
Plug	PTFE
Bonne/Nut	PTFE
Piston	Bronze

DIN	MODEL	PIPE SIZE	Cv	ORIFICE	FLUID TEMP. °C	MAX. OPERATING PRESSURE DIFF. KG/CM ²			DIMENSION(mm)			WEIGHT (kg)
						STEAM	WATER	AIR	L	H	D	
	US-35F	1 1/4"	22	35 mm	-5°C ~ 185°C	0.5-10	0.5-10	0.5-10	200	206	58	10.5
	US-40F	1 1/2"	30	40 mm	-5°C ~ 185°C	0.5-10	0.5-10	0.5-10	200	206	58	11.7
	US-50F	2"	40	50 mm	-5°C ~ 185°C	0.5-10	0.5-10	0.5-10	210	223	58	13.5
	US-65F	2 1/2"	68	65 mm	-5°C ~ 185°C	0.5-10	0.5-10	0.5-10	240	230	58	19.1
	US-80F	3"	100	80 mm	-5°C ~ 185°C	0.5-10	0.5-10	0.5-10	300	249	58	27
	US-100F	4"	175	100 mm	-5°C ~ 185°C	0.5-10	0.5-10	0.5-10	340	264	58	39

USF-NO Series



1. USF-NO series is multiplex-dirve, piston guide, conductive normal open.
2. Valve body made of FC-20.
3. Standard voltage : 110VAC/ 220VAC/ 24VDC
4. Other special AC/DC can be made to clinet's order.
5. Flanged end to: JIS 10K, ANSI 150 LB or PN-16.
6. The standard product fluid temperature is 185°C(PTFE).
7. AC Voltage tolerance: $\pm 10\%$.
DC Voltage tolerance: $\pm 1\%$.

MATERAIL	
PARTS	MATERAIL
Body	FC-20
Coil	Special Copper Wire (H)
Core	Stainless Steel
Tube	Stainless Steel
Spring	Stainless Steel
Plug	PTFE
Bonne/Nut	PTFE
Piston	Bronze

DIN	MODEL	PIPE SIZE	Cv	ORIFICE	FLUID TEMP. °C	MAX. OPERATING PRESSURE DIFF. KG/CM ²			DIMENSION(mm)			WEIGHT (kg)
						STEAM	WATER	AIR	L	H	D	
	US-35F-NO	1 1/4"	22	35 mm	-5°C ~ 185°C	0.5-8	0.5-8	0.5-8	200	226	58	10.7
	US-40F-NO	1 1/2"	30	40 mm	-5°C ~ 185°C	0.5-8	0.5-8	0.5-8	200	226	58	11.9
	US-50F-NO	2"	40	50 mm	-5°C ~ 185°C	0.5-8	0.5-8	0.5-8	210	243	58	13.7
	US-65F-NO	2 1/2"	68	65 mm	-5°C ~ 185°C	0.5-8	0.5-8	0.5-8	240	250	58	19.3
	US-80F-NO	3"	100	80 mm	-5°C ~ 185°C	0.5-8	0.5-8	0.5-8	300	269	58	27.2
	US-100F-NO	4"	175	100 mm	-5°C ~ 185°C	0.5-8	0.5-8	0.5-8	340	284	58	39.2

⚠ USF.USF-NO Not for Fluid Of : 1. Liquid Status When Heat , Solid Status When Cool. 3. Corrosive Fluid
2. Viscosity Over 20 cst.