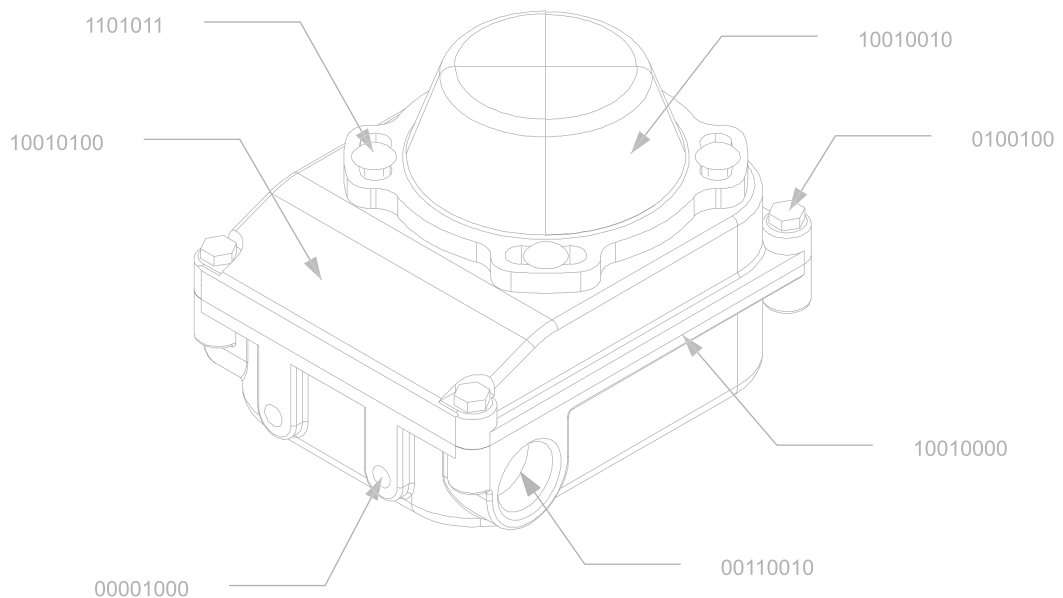
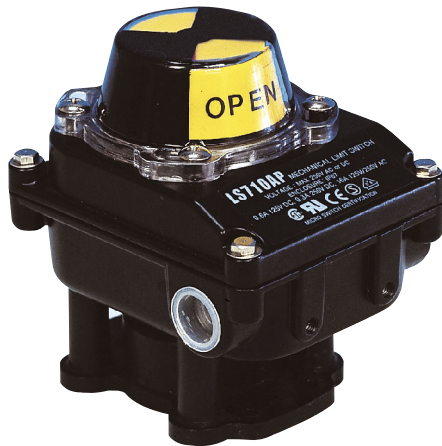


Limit Switch Box



LIMIT SWITCH BOX

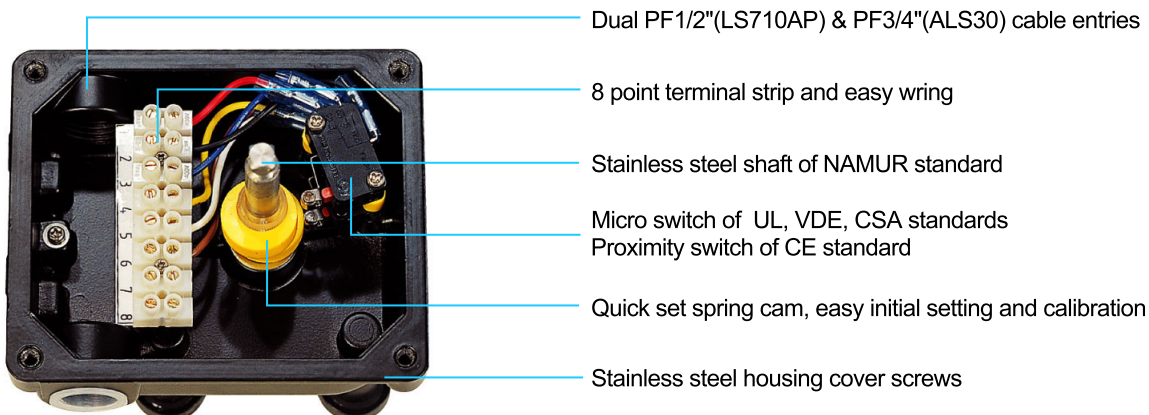
SPECIFICATIONS



LS710AP	Model No.	ALS30
Weather Proof, IP67	Enclosure	IP67 / Explosion Proof Exd IIC T6
2 SPDT / PNP / NPN	Micro & Proximity S/W	2 SPDT / PNP / NPN
15A 125V/250V AC 0.6A 125V DC 0.3A 250V DC	Electrical Ratings (Micro Switch)	16A 125V/250V AC 0.6A 125V DC 0.3A 250V DC
12 ~ 24V DC	(Proximity Switch)	12 ~ 24V DC
8 Contacts	Terminal Strip	8 Contacts
-20°C ~ 85°C	Temp. Ratings	-20°C ~ 85°C
2-PF 1/2"	Conduit Entries	2-PF 3/4"

FEATURE

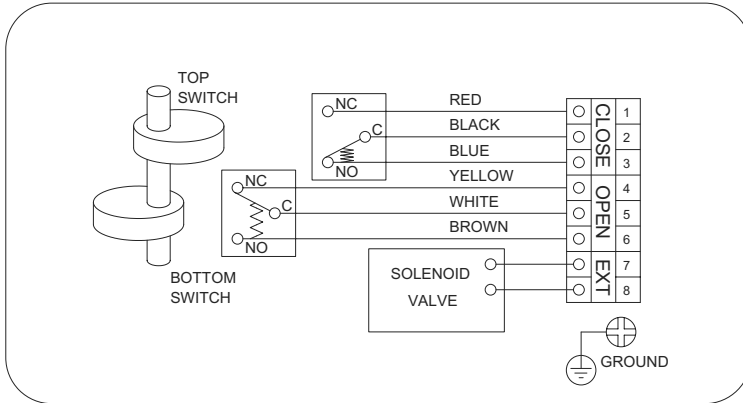
The rotary limit switch enclosure provides a compact design package for visual and remote electrical indication of valve position. The die-casting aluminum housing is epoxy coated and designed to meet NEMA4X standards.



Continuous visual indicator for high contrast wide angle viewing

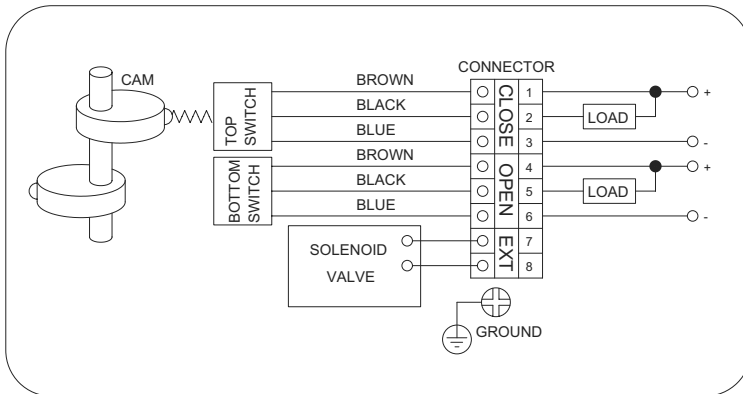
ELECTRICAL CONNECTION

Mechanical Switch (2 SPDT)



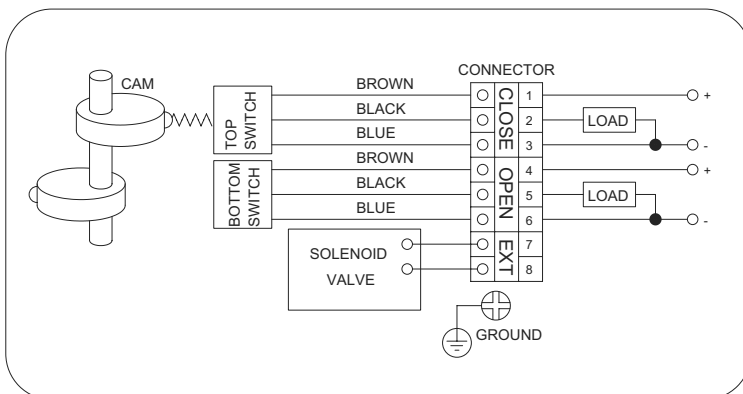
MICRO SWITCH
 USED IN APPROVED.
 TYPE : MECHANICAL SWITCH
 POWER : 15A-125 OR 250V AC,
 0.6A-125V DC, 0.3A-250V DC

Proximity Switch
 (Output Type : NPN)



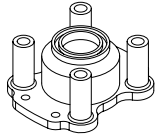
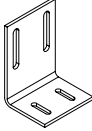
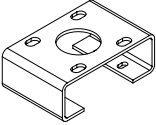
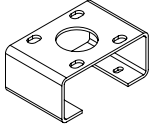
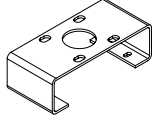
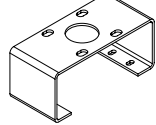
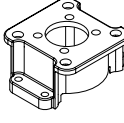
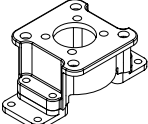
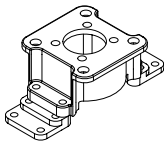
PROXIMITY SWITCH
 USED IN APPROVED.
 TYPE : PROXIMITY SWITCH
 POWER SUPPLY : 12~24V DC
 (OPERATING VOLTAGE : 10~30V DC)

Proximity Switch
 (Output Type : PNP)



PROXIMITY SWITCH
 USED IN APPROVED.
 TYPE : PROXIMITY SWITCH
 POWER SUPPLY : 12~24V DC
 (OPERATING VOLTAGE : 10~30V DC)

MOUNTING BRACKET

	MODEL	MATERIAL	APPLICATION	
	B-1	PLASTIC (ABS)	30 X 80 X 20	
	B-2	STEEL	30 X 80 X 20 ~ 30	
	B-3	STEEL	30 X 80 X 20	
	B-4	STEEL	30 X 80 X 30	
	B-5	STEEL	30 X 130 X 30	
	B-6	STEEL	30 X 130 X 50	
	A-1	ALUMINIUM	30 X 80 X 20	
	A-2	ALUMINIUM	30 X 80 X 30	
	A-3	ALUMINIUM	30 X 130 X 30	

Bracket(NAMUR Std.) mounting bolt, nuts to be provided together with limit switch box as standard.

Product & Sales Items

- Air-Plus Valves
- High Performance Butterfly Valves
- On/Off Valves
- Pneumatic Actuators
- Limit Switches
- Transmitters
- Control Valves



dongjooAP

363-19, Nusan-li, Yangchon-myeon, Gimpo-City,
Gyeonggi-do, Korea

Tel: +82-31-996-4133 Fax: +82-31-996-4134

<http://www.dongjooAP.com/>

E-mail: dongjooAP@dongjooAP.com